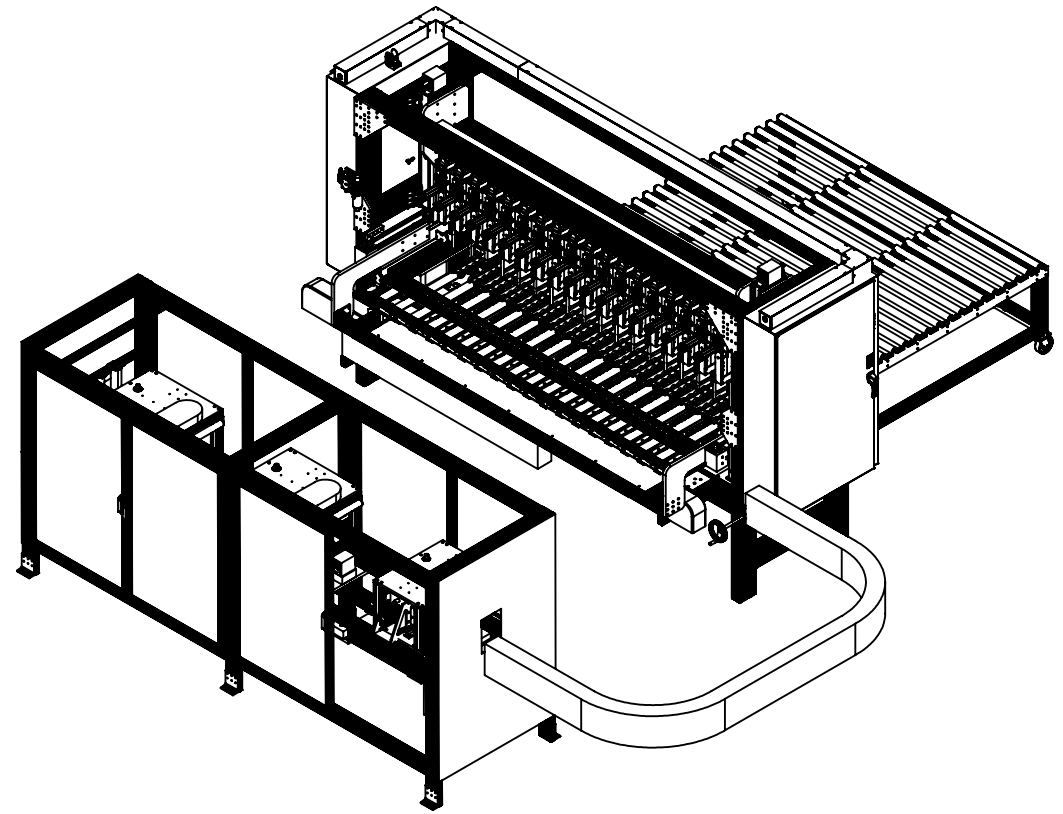
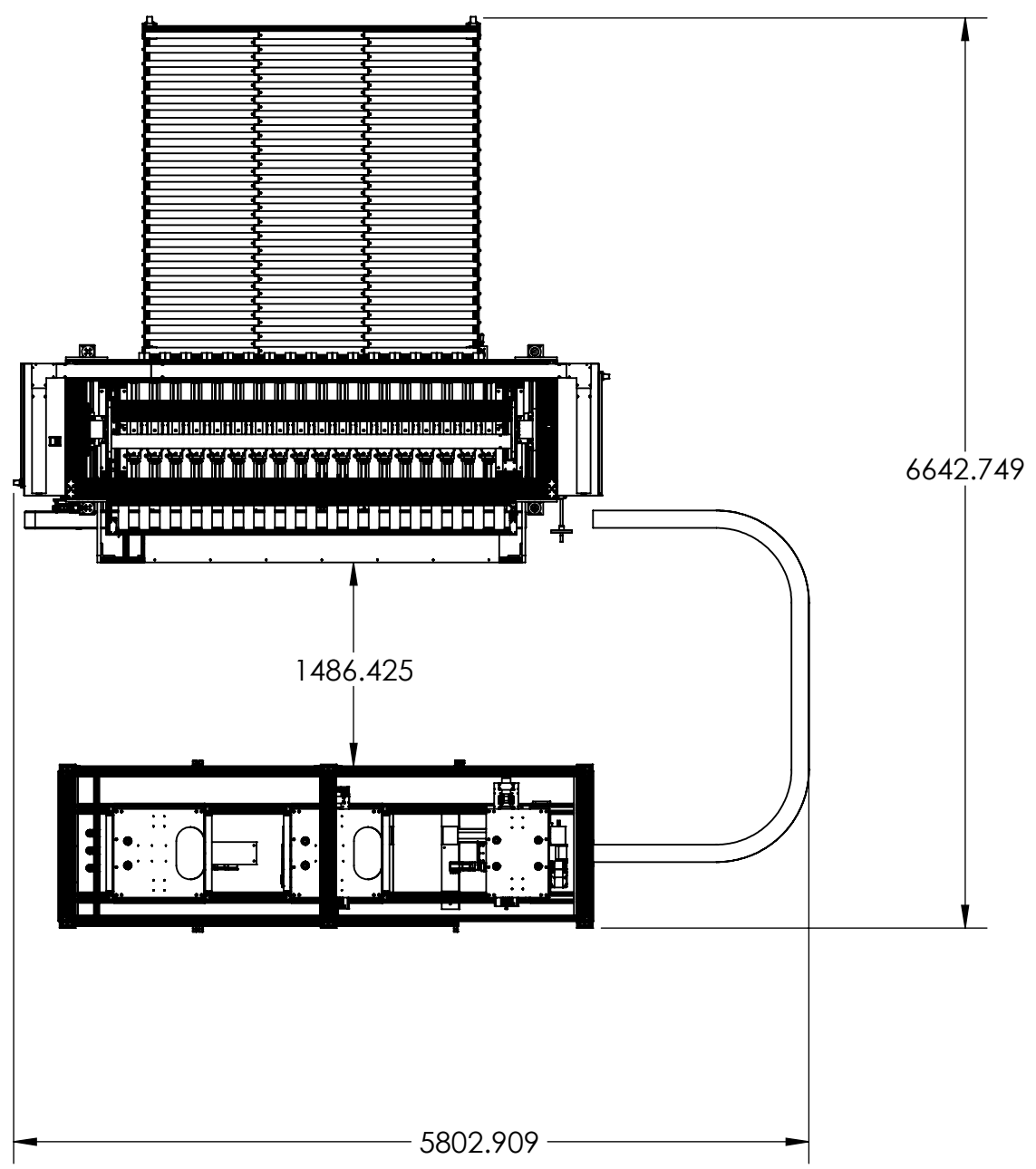


8 7 6 5 4 3 2 1

D
C
B
A

D
C
B
A



PROPRIETARY AND CONFIDENTIAL
 THE INFORMATION CONTAINED IN THIS DRAWING IS THE SOLE PROPERTY OF TEXAS POCKET SPRINGS INC. ANY REPRODUCTION IN PART OR AS A WHOLE WITHOUT THE WRITTEN PERMISSION OF TEXAS POCKET SPRINGS INC. IS PROHIBITED.



UNLESS OTHERWISE SPECIFIED:
 DIMENSIONS ARE IN INCHES
 TOLERANCES:
 FRACTIONAL ±
 ANGULAR: MACH ± BEND ±
 TWO PLACE DECIMAL ±
 THREE PLACE DECIMAL ±
 INTERPRET GEOMETRIC TOLERANCING PER:
 MATERIAL
 FINISH
 DO NOT SCALE DRAWING

	NAME	DATE
DRAWN	L.C.J.	
CHECKED		
ENG APPR.		
MFG APPR.		
Q.A.		
COMMENTS:		

TEXAS POCKET SPRINGS		
TITLE:		
SIZE B	DWG. NO. U SHAPE RH ENTRY	REV
SCALE: 1:96	WEIGHT:	SHEET 1 OF 1

8 7 6 5 4 3 2 1