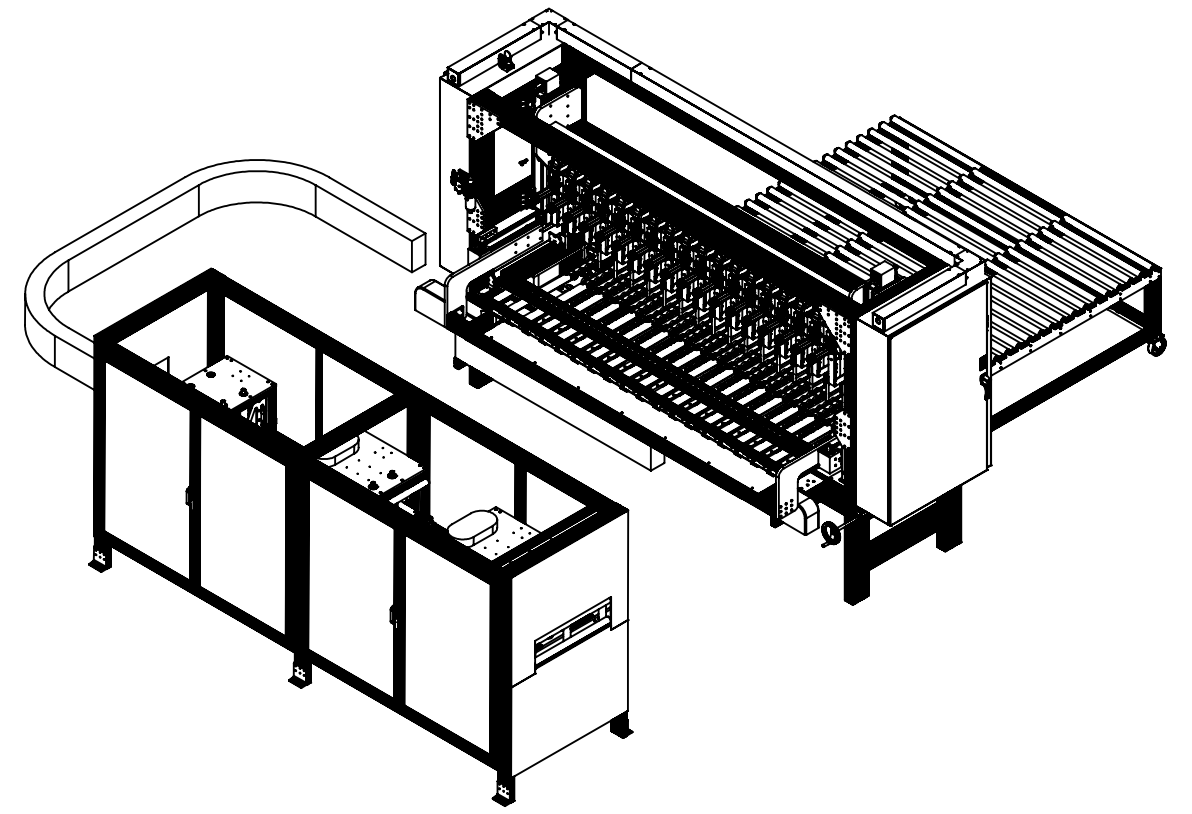
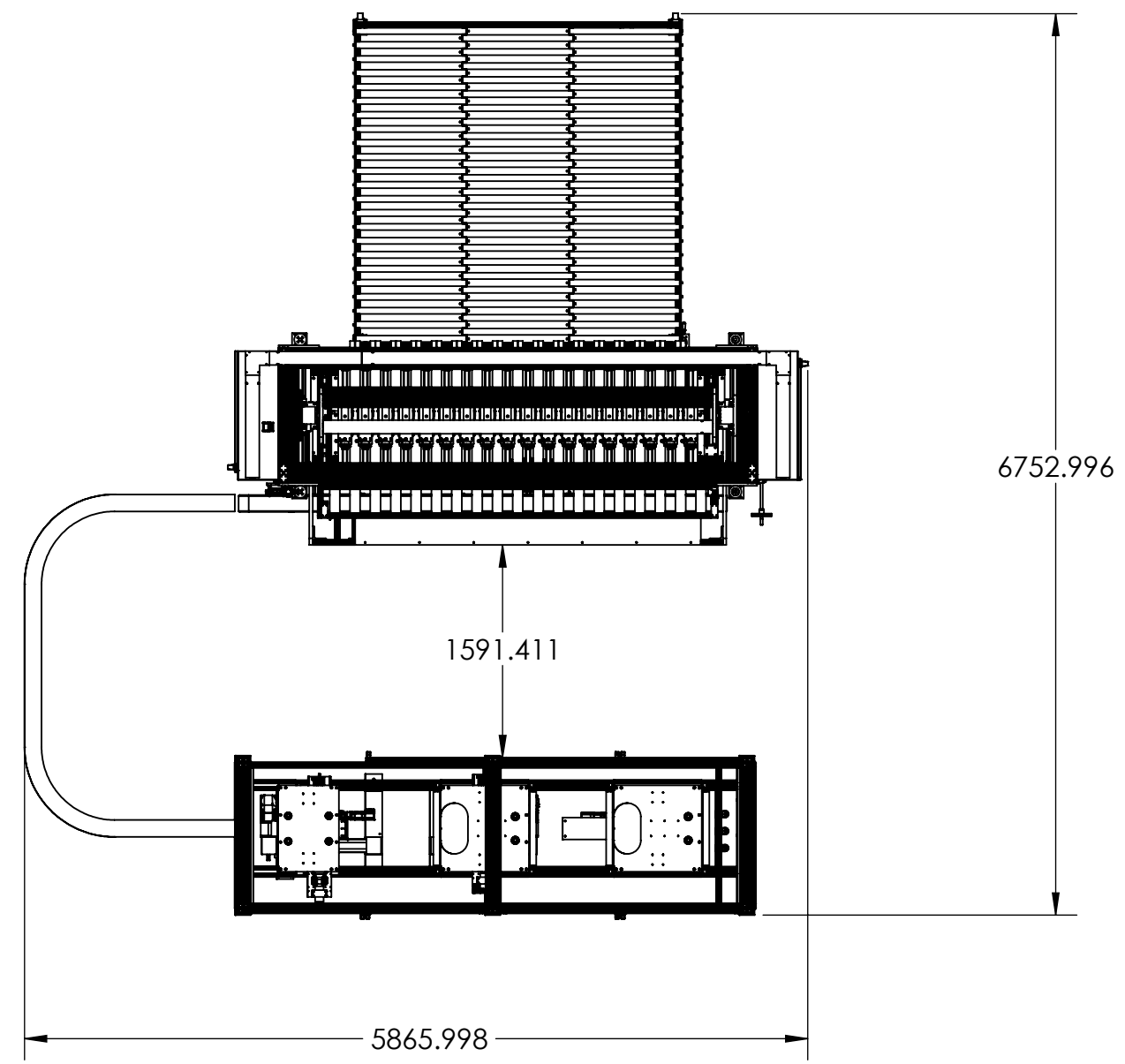


8 7 6 5 4 3 2 1

D  
C  
B  
A



D  
C  
B  
A

**PROPRIETARY AND CONFIDENTIAL**  
 THE INFORMATION CONTAINED IN THIS DRAWING IS THE SOLE PROPERTY OF TEXAS POCKET SPRINGS INC. ANY REPRODUCTION IN PART OR AS A WHOLE WITHOUT THE WRITTEN PERMISSION OF TEXAS POCKET SPRINGS INC. IS PROHIBITED.



UNLESS OTHERWISE SPECIFIED:  
 DIMENSIONS ARE IN INCHES  
 TOLERANCES:  
 FRACTIONAL ±  
 ANGULAR: MACH ± BEND ±  
 TWO PLACE DECIMAL ±  
 THREE PLACE DECIMAL ±  
 INTERPRET GEOMETRIC TOLERANCING PER:  
 MATERIAL  
 FINISH  
 DO NOT SCALE DRAWING

	NAME	DATE
DRAWN	L.C.J.	
CHECKED		
ENG APPR.		
MFG APPR.		
Q.A.		
COMMENTS:		

<b>TEXAS POCKET SPRINGS</b>		
TITLE:		
SIZE <b>B</b>	DWG. NO. U SHAPE LEFT ENTRY	REV
SCALE: 1:96	WEIGHT:	SHEET 1 OF 1

8 7 6 5 4 3 2 1