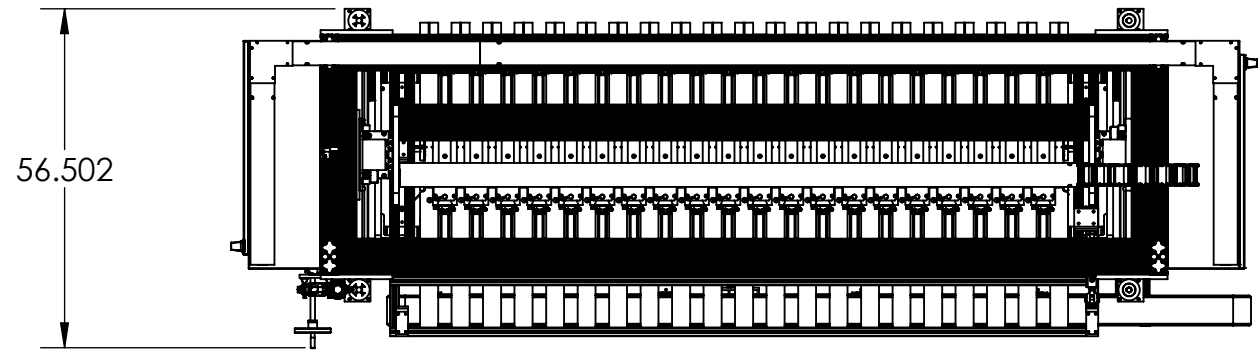
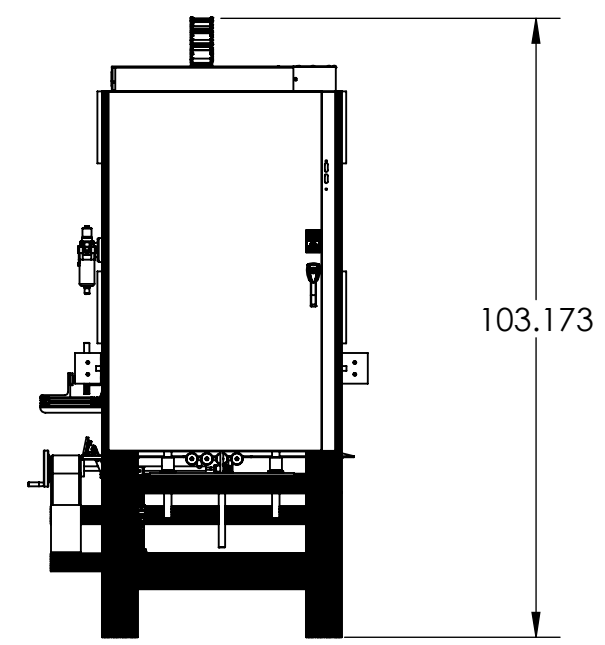
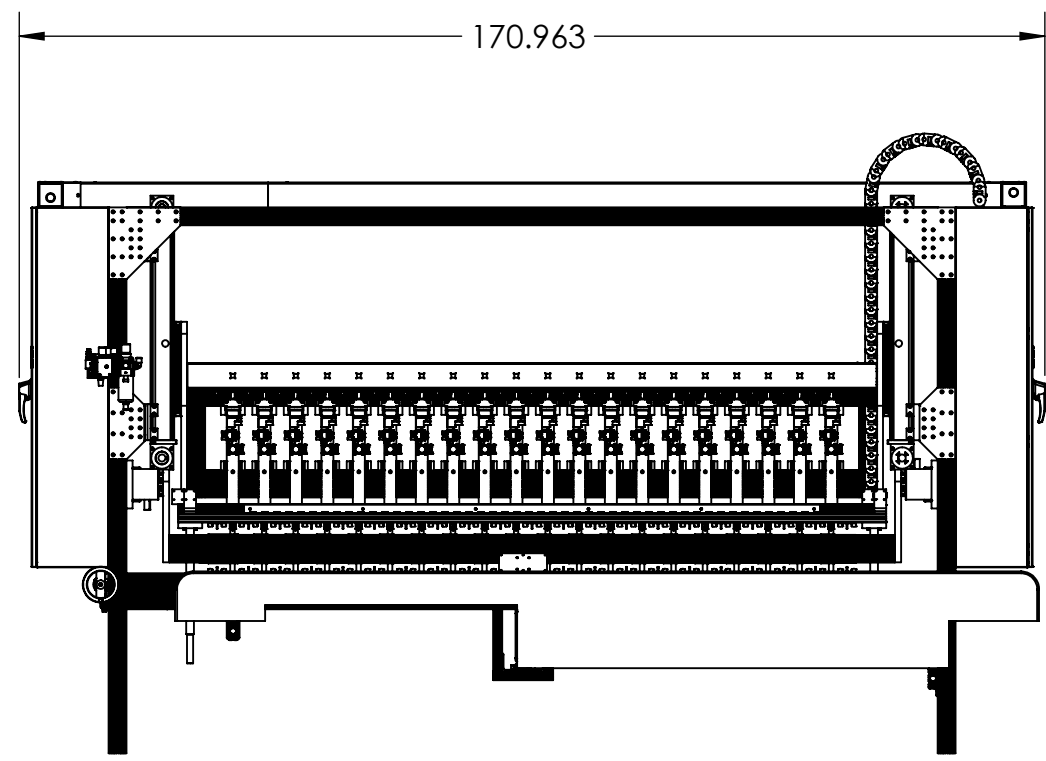


8 7 6 5 4 3 2 1

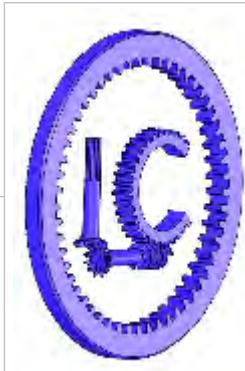
D
C
B
A



NOTE:
TOTAL WEIGHT 4000 LBS.



PROPRIETARY AND CONFIDENTIAL
THE INFORMATION CONTAINED IN THIS DRAWING IS THE SOLE PROPERTY OF LC MACHINE & DESIGN. ANY REPRODUCTION IN PART OR AS A WHOLE WITHOUT THE WRITTEN PERMISSION OF LC MACHINE & DESIGN IS PROHIBITED.



UNLESS OTHERWISE SPECIFIED:
DIMENSIONS ARE IN INCHES
TOLERANCES:
FRACTIONAL ±
ANGULAR: MACH ± BEND ±
TWO PLACE DECIMAL ±
THREE PLACE DECIMAL ±
INTERPRET GEOMETRIC TOLERANCING PER:
MATERIAL
FINISH
DO NOT SCALE DRAWING

	NAME	DATE
DRAWN	L.C.J.	
CHECKED		
ENG APPR.		
MFG APPR.		
Q.A.		
COMMENTS:		

LC MACHINE & DESIGN		
TITLE:		
SIZE B	DWG. NO. GLUELESS ASSEMBLER #3	REV
SCALE: 1:32	WEIGHT:	SHEET 1 OF 1

8 7 6 5 4 3 2 1